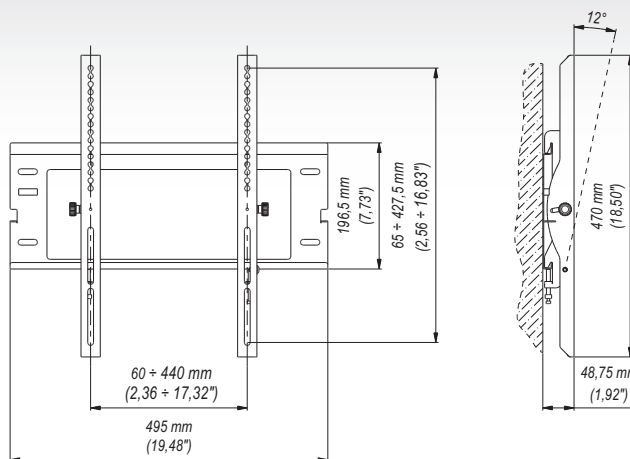


EWB150 ■ Tilting Wall Mount 26"-40"



Features

- 1 **ADJUSTABLE TILT ANGLE**
variable from /+12°
- 2 **LIGHTWEIGHT**
weight 1,4 Kg
- 3 **LEVEL**
for facilitated installation



Technical Data



75x75 mm
100x100 mm
200x100 mm
200x200 mm
300x300 mm
400x200 mm
400x400 mm



26"-40"



/+12°



48,75 mm



40 Kg



min. 60x65 mm
max. 440x427,5 mm

Trade Information

Index	Colour	Package	EAN
EWB150c-B	■	■	5908252963522
EWB150s-B	■	■	5908252963522

Package Dimensions [mm] (H x W x D)	500x205x65
Weight [Kg]	2,2